

AVA E151v2

TWO WAY PASSIVE SPEAKER

OVERVIEW

AVA E151v2, a member of E Series is a Passive 2 way Loudspeaker system designed and manufactured by AVA Pro Audio and with high quality B&C 3" compression driver and 15" woofer. Ava E151v2 delivers clear high frequency, full and mid frequency and punchy bass.

FEATURES

- 1" compression driver with 1.7" voice coil
- 15" woofer, high power, 3" voice coil
- 131 dB max spl
- input Power Rating: 800 W AES



TECHNICAL SPECIFICATIONS

Acoustical specifications

Frequency Response (-10dB):	55Hz- 20000Hz
Max SPL @ 1m:	131 dB
Horizontal coverage angle:	90°
Vertical coverage angle:	60°
System Sensitivity:	99.5 dB

Power section

Crossover Frequencies:	1600 Hz
Nominal Impedanc:	8 ohm
Protections:	Dynamic Active Mosfet
Power Rating (program):	800 W

Transducers

Compression Driver:	1.7" Voice coil, 1" exit
Nominal Impedance (ohm):	8 ohm
Input Power Rating:	program 120 W
Sensitivity:	108.5 dB, 1W @ 1m
Woofer:	15", 3" Voice Coil
Nominal Impedance (ohm):	8 ohm
Input Power Rating:	program 800 W
Sensitivity:	98.5 dB

Input/Output section

Input connectors:	Speakon
Output connectors:	Speakon

Physical Specifications

Cabinet/Case Material:	15 mm, 11-ply Baltic Birch plywood
Hardware:	2 x Handle
Pole mount/Cap:	35 mm pole
Grille:	Powder Coated 15 gauge hex-perforated steel with acoustically-transparent black cloth
Rigging:	12 x M8 mounting points
Color:	Black

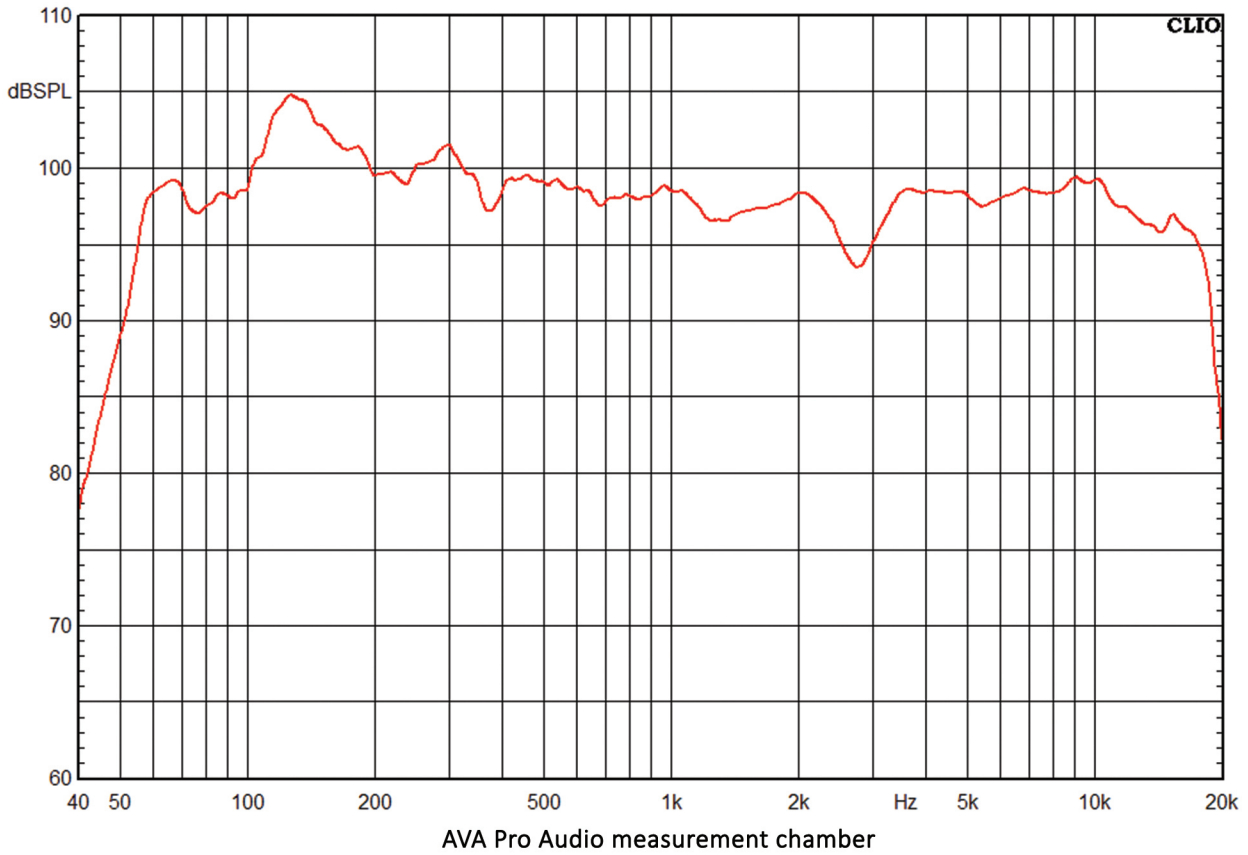
Size

Height:	685 mm
Width:	430 mm
Depth:	450 mm
Weight:	25.2 kg / 55.5 lbs

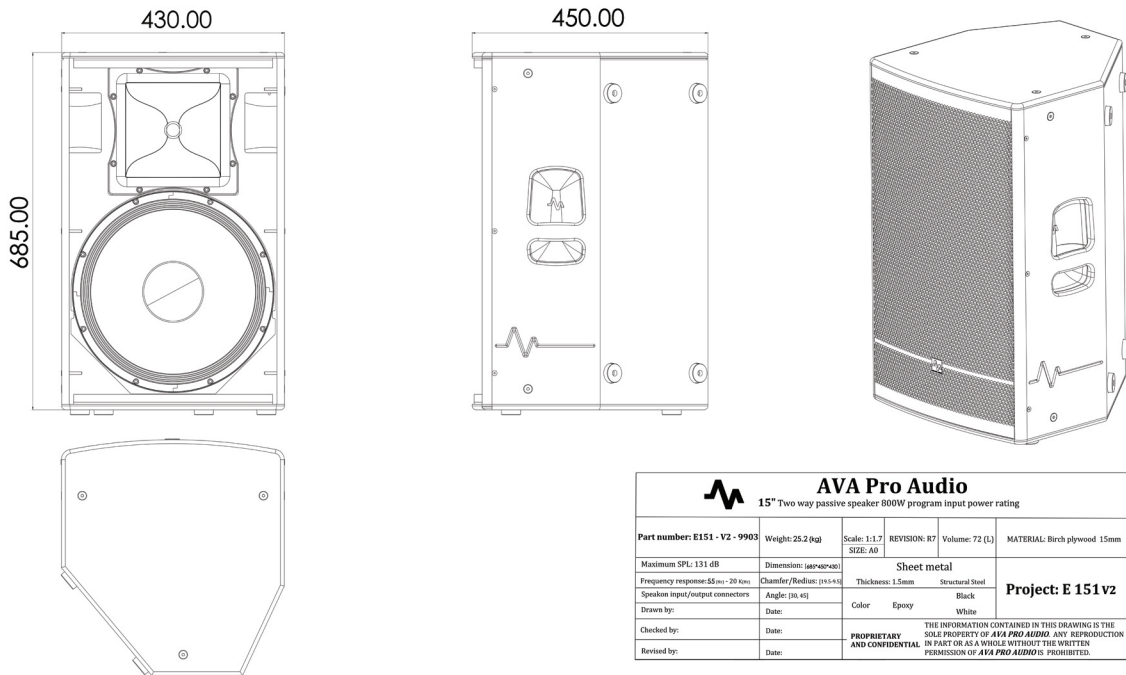
Shipping informations

Package Height:	780 mm
Package Width:	520 mm
Package Depth:	490 mm
Package Weight:	30 kg / 66 lbs

FREQUENCY RESPONSE



DIMENSIONS



AVA Pro Audio 15" Two way passive speaker 800W program input power rating			
Part number: E151 - v2 - 9903	Weight: 25.2 (kg)	Scale: 1:1.7 SIZE: A0	REVISION: R7
Maximum SPL: 131 dB	Dimensions: (WxHxD)	Sheet metal	Volume: 72 (L)
Frequency response: 55 Hz - 20 kHz	Chamfer/Radius: (R15x45)	Thickness: 1.5mm	Structural Steel
Speaker input/output connectors	Angle: (D, 45)	Color: Black	White
Drawn by:	Date:	THE INFORMATION CONTAINED IN THIS DRAWING IS THE SOLE PROPERTY OF AVA PRO AUDIO. ANY REPRODUCTION IN PART OR AS A WHOLE WITHOUT THE WRITTEN PERMISSION OF AVA PRO AUDIO IS PROHIBITED.	
Checked by:	Date:	PROJECT: E 151 v2	
Revised by:	Date:	PROPRIETARY AND CONFIDENTIAL	

PART NUMBER

■ **E151v2-9903**

AVA E151v2- 2 WAY 800W SPEAKER